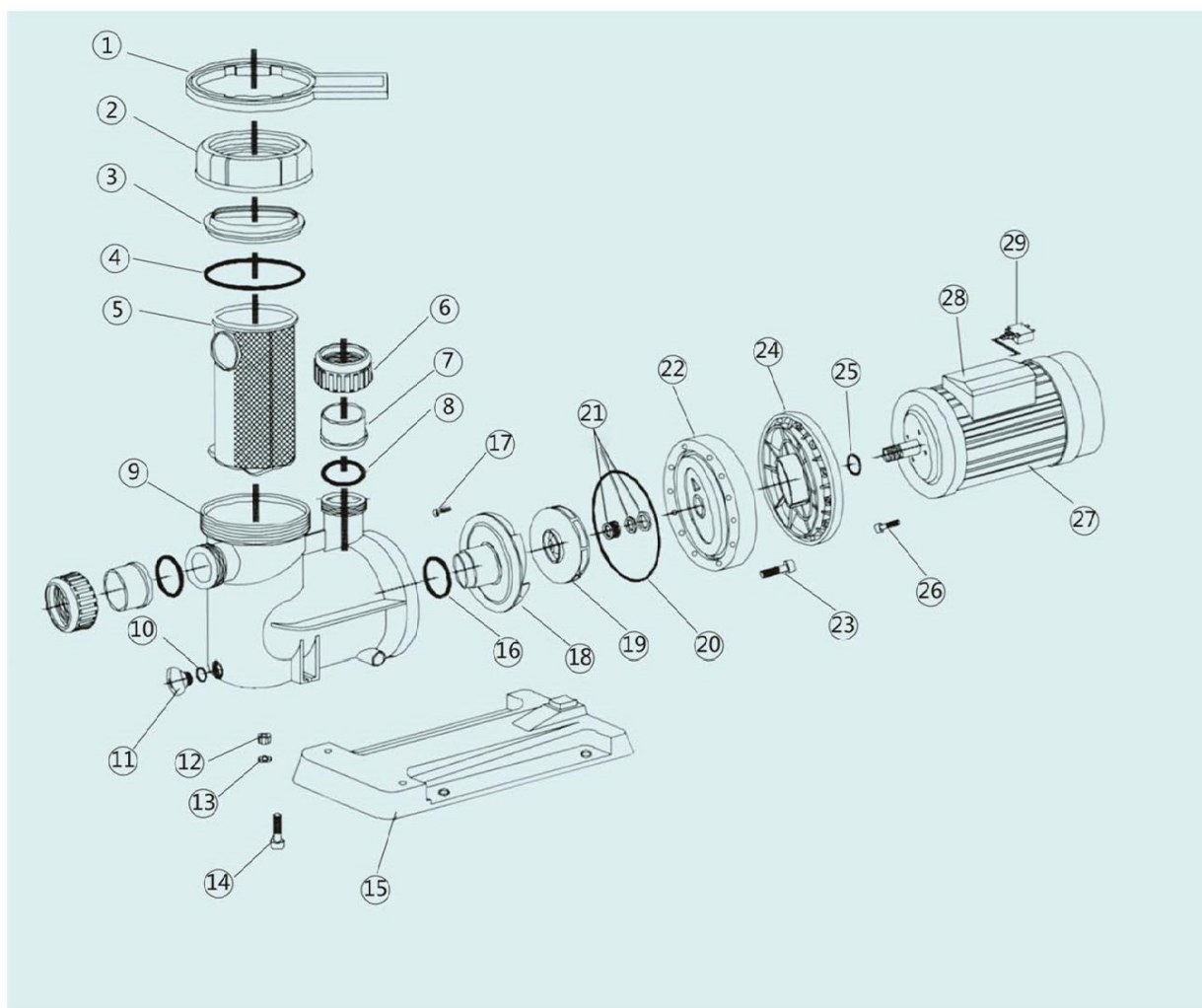
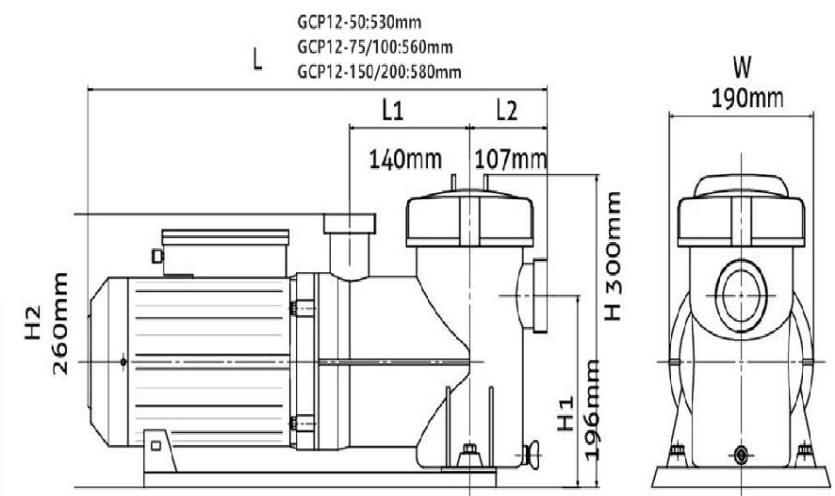
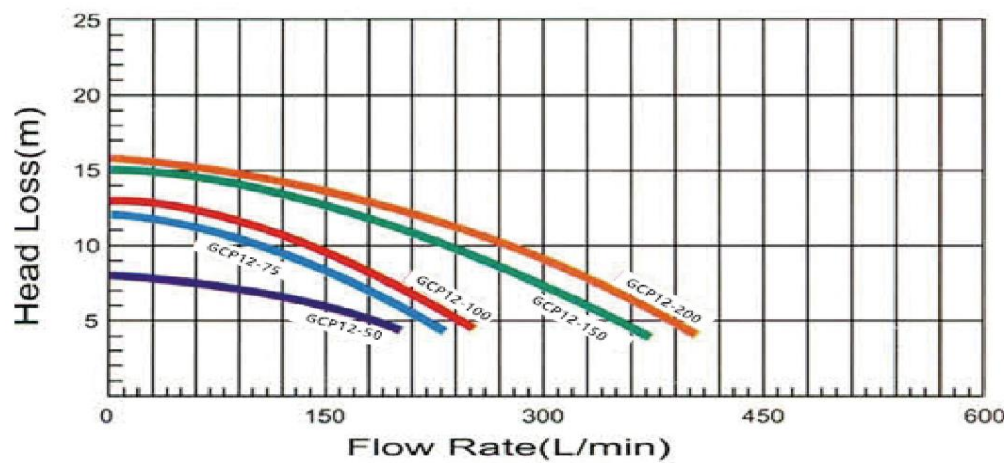


GCP12 Water Pump

GCP12 Small Water Pump

Anti rust crust can stop water penetrating to the engine; Enough power, high head, big flux and high efficient circulation. Run quietly with smaller noise. High airtightness sealed, strong suction ability, big capacity of hair box. Main parts are durable as they're made of special plastic. Convenient to hand, easy to maintain. Spare parts available.



- 01 Plastic Spanner
- 02 Lid Lock Ring
- 03 Lid
- 04 O' ring
- 05 Basket
- 06 Union Nut
- 07 Union Bushing(Metric/ Inch)
- 08 O' ring
- 09 Pump body
- 10 O' rirt9
- 11 Drain Plug
- 12 Nut
- 13 Gasket
- 14 Screw(8*30mm)
- 15 Base
- 16 O'ring
- 17 Screw
- 18 Diffuser
- 19 impeller
- 20 O'ring
- 21 Shaft Seal
- 22 Flange
- 23 Screw
- 24 Flange
- 25 R ejection Water Ring
- 26 Screw
- 27 Motor
- 28 Junction Box
- 29 Electric Current Safeguard

Model	Voltage	Kw	HP	Hmax(m)	Qmax(m ³ /h)	Port Size(mm)
GCP12-50	220V/50hz/60hz	0.37	0.5	8	11	50 1.5"
GCP12-75		0.55	0.75	12	16	
GCP12-100		0.75	1	13	17	
GCP12-150		1.1	1.5	15	21	
GCP12-200		1.5	2	16	25	